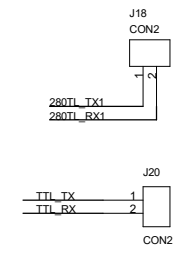
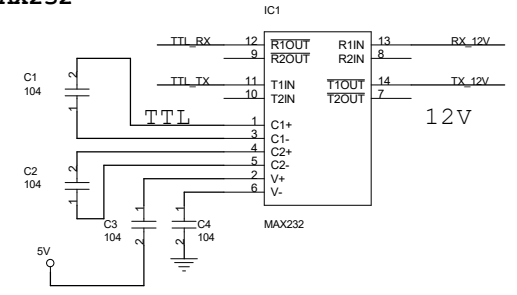
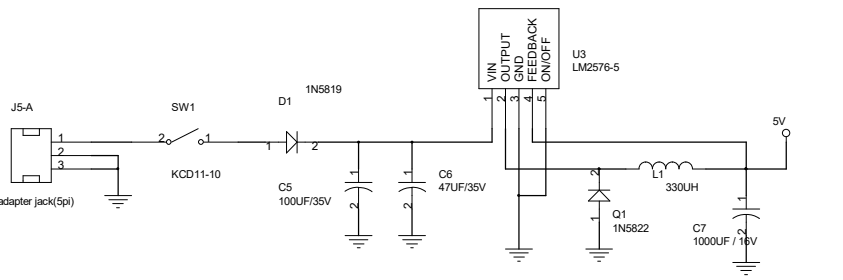


MAX232

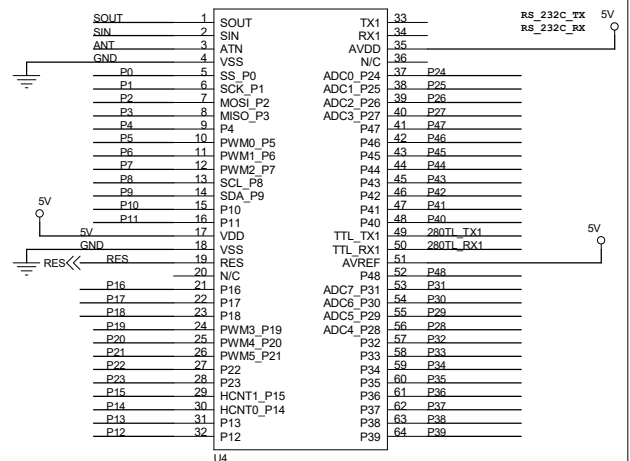


PWR

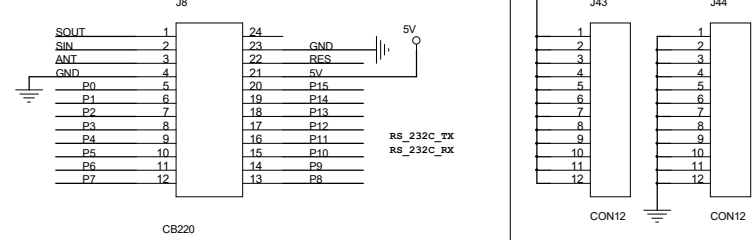


QUICK START BOARD 1000 전원부와 동일

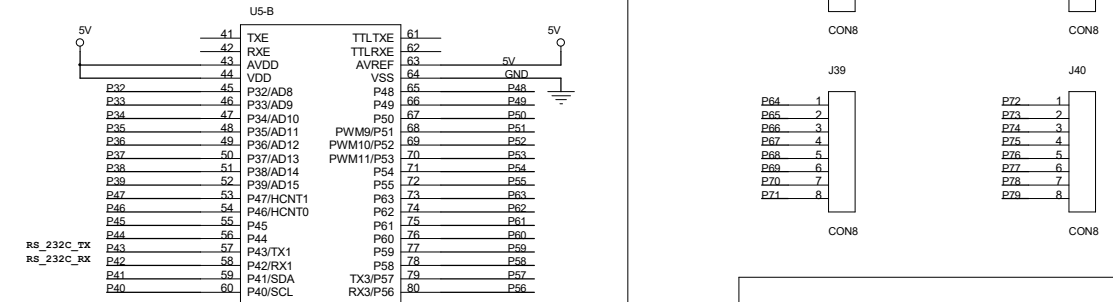
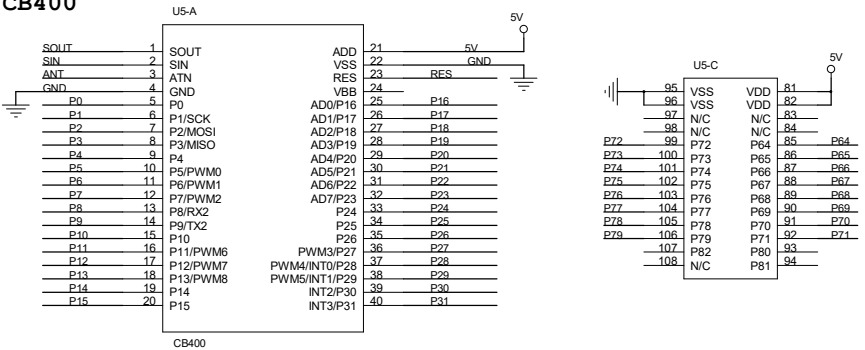
CB280



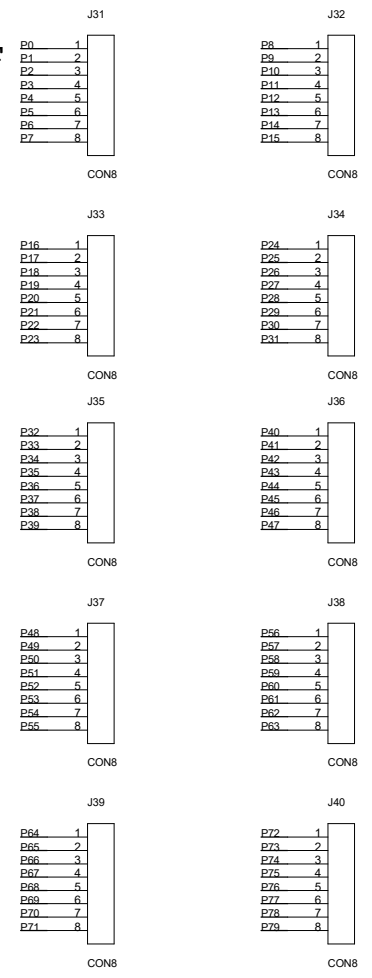
CB220



CB400

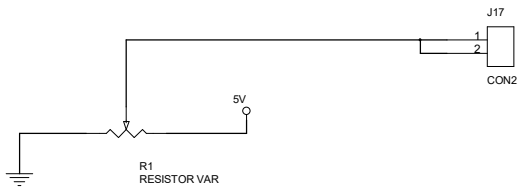


SOCKET

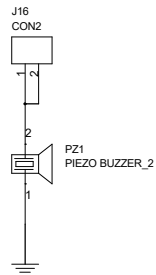


Title		
Size	Document Number	Rev ?
Date:	Monday, December 18, 2017	Sheet 1 of 2

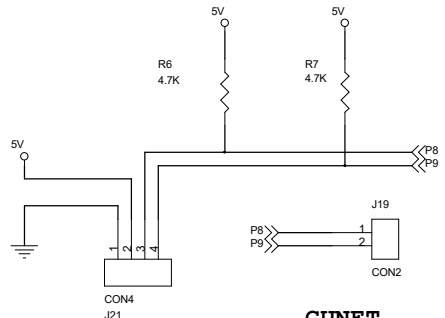
A/D IN



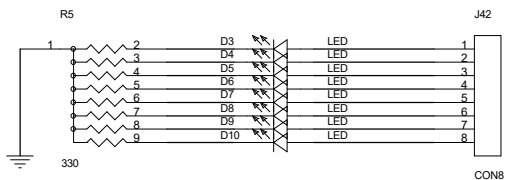
PIEZO



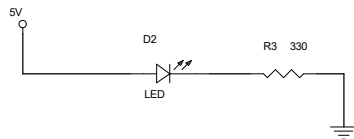
CUNET



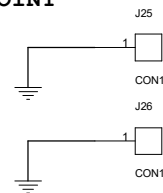
LED OUT



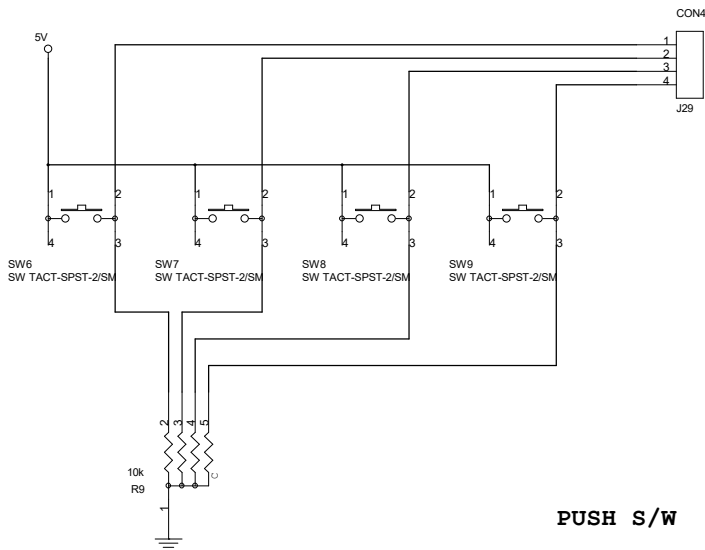
PWR LED



GND POINT



PUSH S/W



Title		
Size B	Document Number	Rev ?
Date:	Monday, December 18, 2017	Sheet 2 of 2